



Product specifications

Retrofit fixtures with:
SMART DRIVER

LED driver with advanced wireless controls
for retrofitting linear fluorescent fixtures



PRODUCT OVERVIEW

The Amatis Controls Smart Driver is designed to operate and control a wide variety of LED fixtures and LED lamp retrofit kits. Our 6LoWireless communication technology enables advanced controls and dimming of the LEDs with available sensors and wireless switches.

Every Smart Driver includes an RJ12 port designed to connect with the Amatis Controls Sensor2 MLTH. When connected, the sensor can detect occupancy, vacancy, available daylight, temperature, and humidity levels within the sensing area. Then the sensor leverages the Smart Driver's on-board 6LoWireless communication to transmit that data across the network.

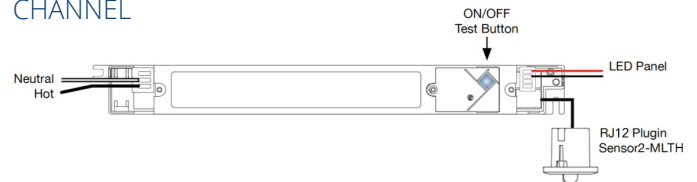


FEATURES

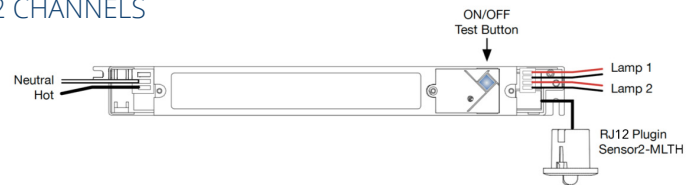
SMART DRIVER FUNCTIONALITY	LED driver with advanced wireless controls
	Retrofit linear fluorescent fixtures to LED
	1CH for LED fixtures, 2CH for LED Tube Retrofits
	Short circuit and overload protection
	Natural convection cooling
	Onboard dimming capability
EASY, PLUG-AND-PLAY INSTALLATION	RJ12 input for MLTH2 Sensor detecting motion, light, temperature and humidity
	Replace fluorescent tubes and ballast with LED tubes and Amatis Smart Driver
	Wires in like any other driver - line voltage and neutral wires give power
	LEDs indicate power and network connection status
SIMPLE, WIRELESS COMMISSIONING	Remotely configurable / upgradeable
	Amatis app easily commissions all devices on the mesh network
	Unique IPv6 address
	Real-time data uploaded to the Energy Dashboard
CODE COMPLIANCE	Complies with ASHRAE 90.1-2016 and CA Title 24 requirements
WARRANTY	10-year limited warranty with uninterrupted connection of the Amatis Border Router device from a network

WIRING DIAGRAM

1 CHANNEL



2 CHANNELS



LED INDICATOR REFERENCE TABLE

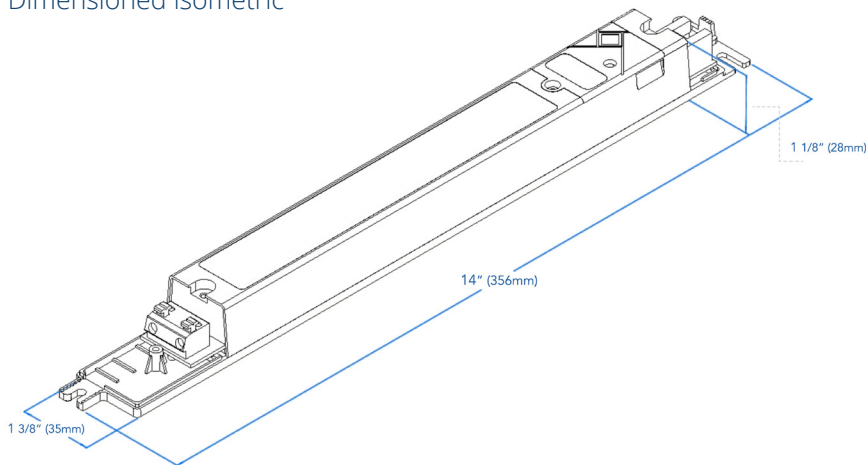
BEHAVIOR	MEANING
OFF	No power (unless disabled)
Slow blink	Looking for network
Fast blink	In pairing mode
Solid	Connected to AMBR (normal)

TECHNICAL SPECIFICATIONS

		DRIVER-36W-277V-1CH 1 Channel	DRIVER-36W-277V-2CH 2 Channel	DRIVER-36W-347V-1CH 1 Channel	DRIVER-36W-347V-2CH 2 Channel
COMMUNICATION	Wireless transmit range*	Up to 200 feet to nearest mesh connected device			
	Communication protocol	Embedded 6LoWireless			
	Encryption	AES 128-bit			
ELECTRICAL	Input power	90-277VAC, 50/60Hz		347VAC, 50-60Hz	
	Power output	36W			
	Current output per channel	620mA	310mA	620mA	310mA
	Inrush	<20A at 120VAC <40A at 277VAC		<55A at 347VAC	
	Constant current	R33-37V			
	Efficiency	Up to 81%			
	THD	R<20%			
	Current accuracy	± 5%			
	Line regulation	± 1%			
	Wire size for high voltage input	AWG 12-20			
	Wire size for LED output	AWG 20-26			
MECHANICAL	Dimensions	14" (356mm) w 1 3/8" (35mm) h 1 1/8" (28mm) d			
	Color	White			
	Finish	Matte			
ENVIRONMENTAL	Installation environment	Commercial, Indoor/Covered			
	Temperature range	Ambient Temp: -4°F to 104°F, -20°C to 40°C			
GENERAL	Standards / Ratings	FCC, ETL listed, C-RJ-US, RoHS WEEE and SELV Device contributes to Amatis system compliance with ASHRAE 90.1-2016 and CA Title 24 requirements			

*Based on clear line of sight. Interior obstructions may limit range.

Dimensioned isometric



Note: Actual performance may vary as a result of end-user environment and application. Specifications subject to change without notice.

©2019 Amatis Controls. All rights reserved. Archive 1942, Rev 3 100319

